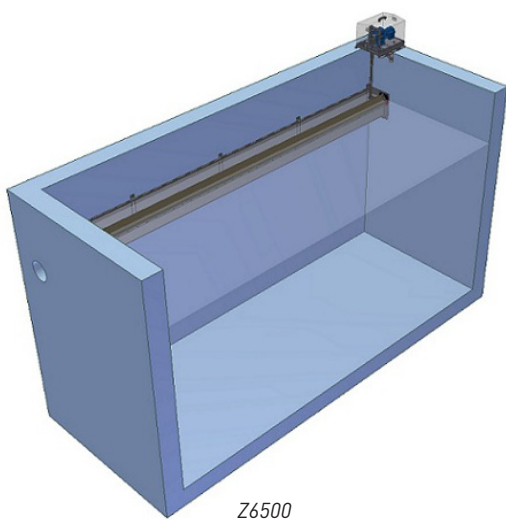
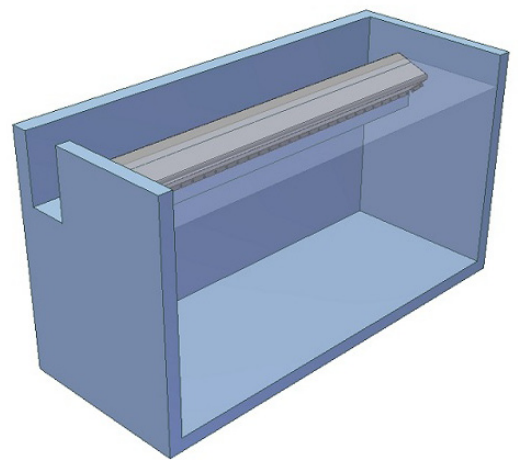


Z6300, Z6500 AND Z6900

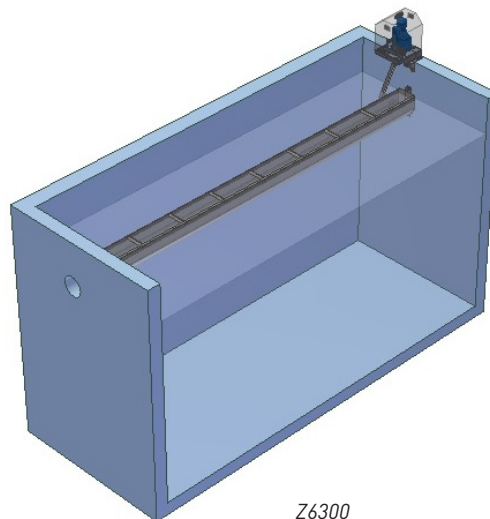
Three products for efficient sludge management



Z6500



Z6900



Z6300

Main areas of use and features

- Z6300 Rotating pipe, double or single tilted
- Z6300 & Z6500 Electrical, hydraulic or manual operation
- Z6500 Fixed scum pipe with movable front edge
- Z6500 gives scum only on one side of the pipe
- Z6500 for high capacity
- Z6900 Scum beach with no moving parts
- Z6900 for thicker scum

Z6300 ROTATING SCUM PIPE, Z6500 FIXED SCUM PIPE AND Z6900 SCUM BEACH

Z6300 rotating scum pipe – can be tilted in two directions

The entire pipe is turned or tilted precisely as far as necessary to receive the sludge decanted by the surface scraper.

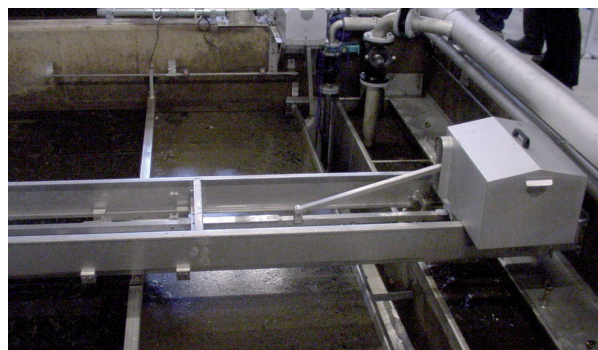
The Z6300 rotating scum pipe is best suited for use with sludge with a low total solids content. It can be powered electrically or hydraulically or may be operated manually with a lever. Installation is straightforward. Ready-made parts for casting into the concrete are available for securing the pipe to the wall of the tank. The rotating scum pipe is made of stainless steel.



Z6500 fixed scum pipe – fits directly to a wall

The Z6500 is a fixed scum pipe with a movable front edge or “lip”. When the lip is lowered inwards over the pipe, the sludge flows in over the lip. With its angled bottom, the Z6500 has a high capacity and is best suited for applications where the total solids content of the sludge is high. The scum pipe is available in electrically or hydraulically powered versions, or may be operated manually with a lever. It is designed to be mounted on the end of a tank. This means that no sludge collects behind the pipe. Installation is straightforward.

If necessary a sump can be incorporated into the pipe. The fixed scum pipe is made of stainless steel.



Z6900 scum beach – for thicker sludge

The Z6900 scum beach can be fitted either in the existing concrete pipe of the tank or combined with a sheet steel scum pipe as a permanent installation. The scum beach is best suited for use with sludge types that have a high total solids content. A sump can be fitted to the scum beach. Dimensions in accordance with individual specifications. The scum beach is made of stainless steel.

